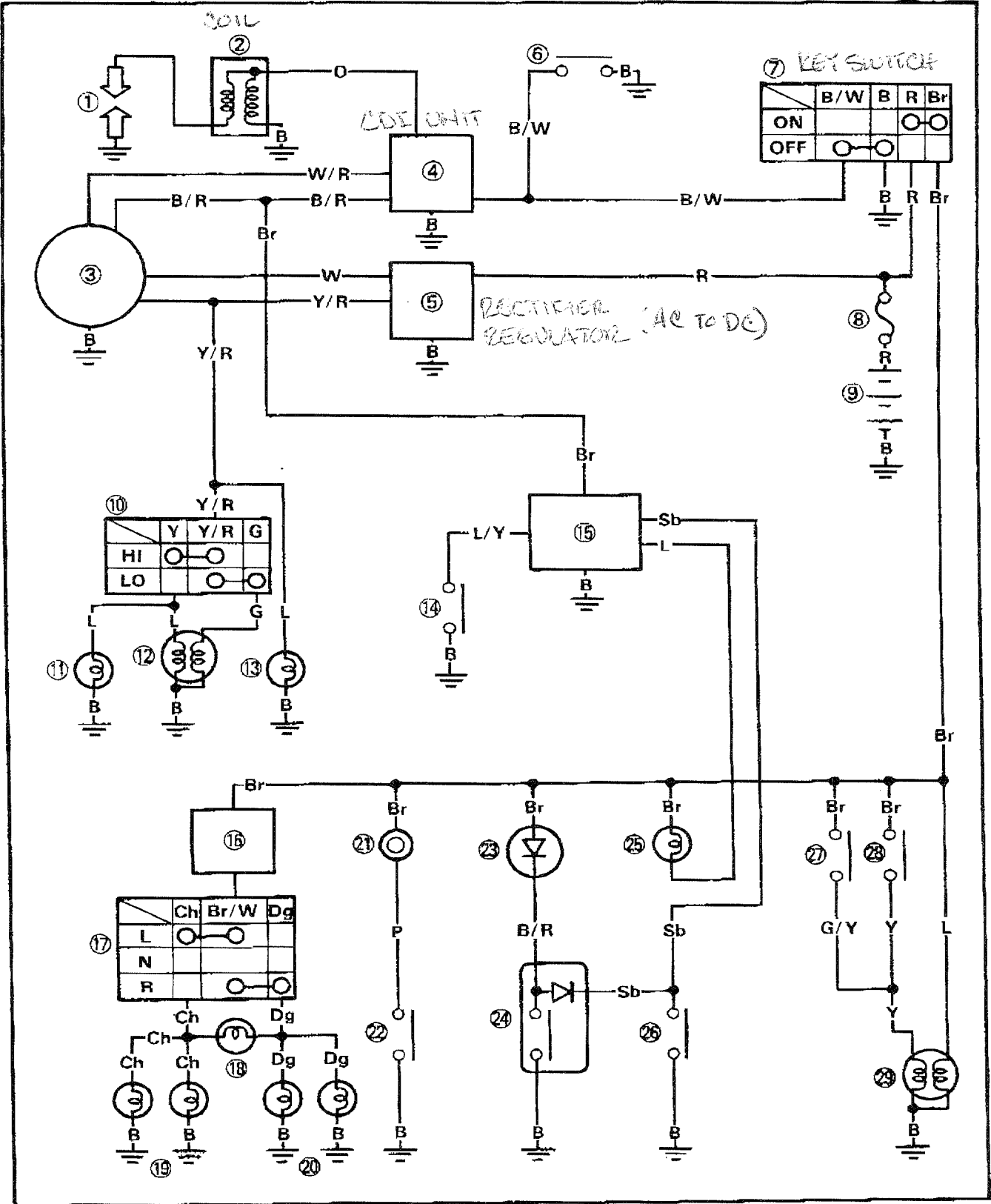




ELECTRICAL

YSR50T CIRCUIT DIAGRAM



YSR50T CIRCUIT DIAGRAM



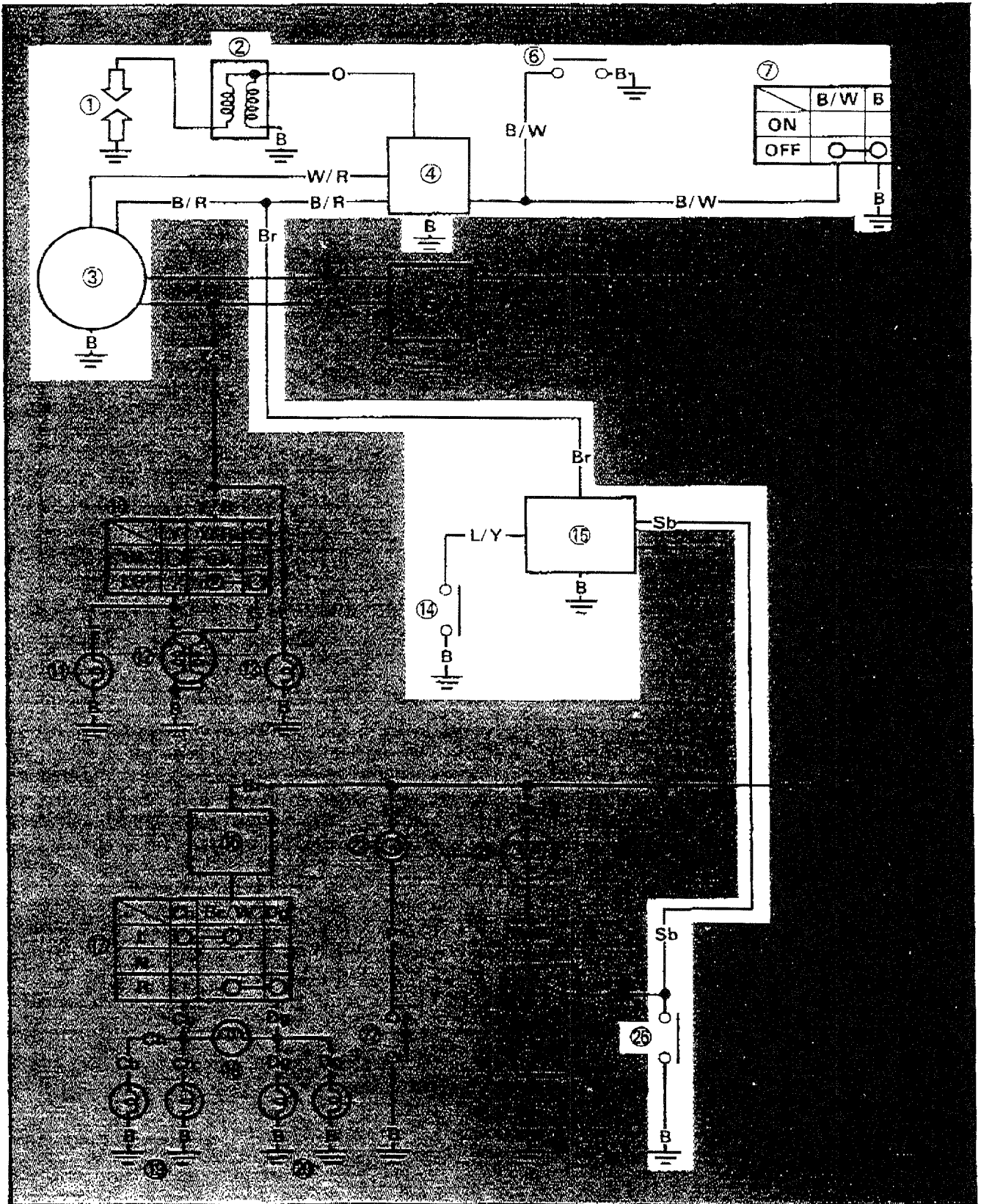
- ① Spark plug
- ② Ignition coil
- ③ CDI magneto
- ④ CDI unit
- ⑤ Rectifier/Regulator
- ⑥ "ENGINE STOP" switch
- ⑦ Main switch
- ⑧ Fuse
- ⑨ Battery
- ⑩ "LIGHTS" (Dimmer) switch
- ⑪ "HIGH BEAM" indicator light
- ⑫ Headlight
- ⑬ Meter light
- ⑭ Sidestand switch
- ⑮ Ignition control unit
- ⑯ Flasher relay
- ⑰ "TURN" switch
- ⑱ "TURN" Indicator light
- ⑲ Flasher light (Left)
- ⑳ Flasher light (Right)
- ㉑ Horn
- ㉒ "HORN" switch
- ㉓ "OIL" warning indicator light
- ㉔ Oil level switch
- ㉕ "NEUTRAL" indicator light
- ㉖ Neutral switch
- ㉗ Front brake switch
- ㉘ Rear brake switch
- ㉙ Tail/Brake light

COLOR CODE

B	Black	P	Pink
R	Red	Sb	Sky blue
Br	Brown	B/R	Black/Red
O	Orange	B/W	Black/White
W	White	W/R	White/Red
L	Blue	Br/W	Brown/White
G	Green	G/Y	Green/Yellow
Y	Yellow	Y/R	Yellow/Red
Dg	Dark green	L/Y	Blue/Yellow
Ch	Chocolate		

IGNITION AND STARTING SYSTEM

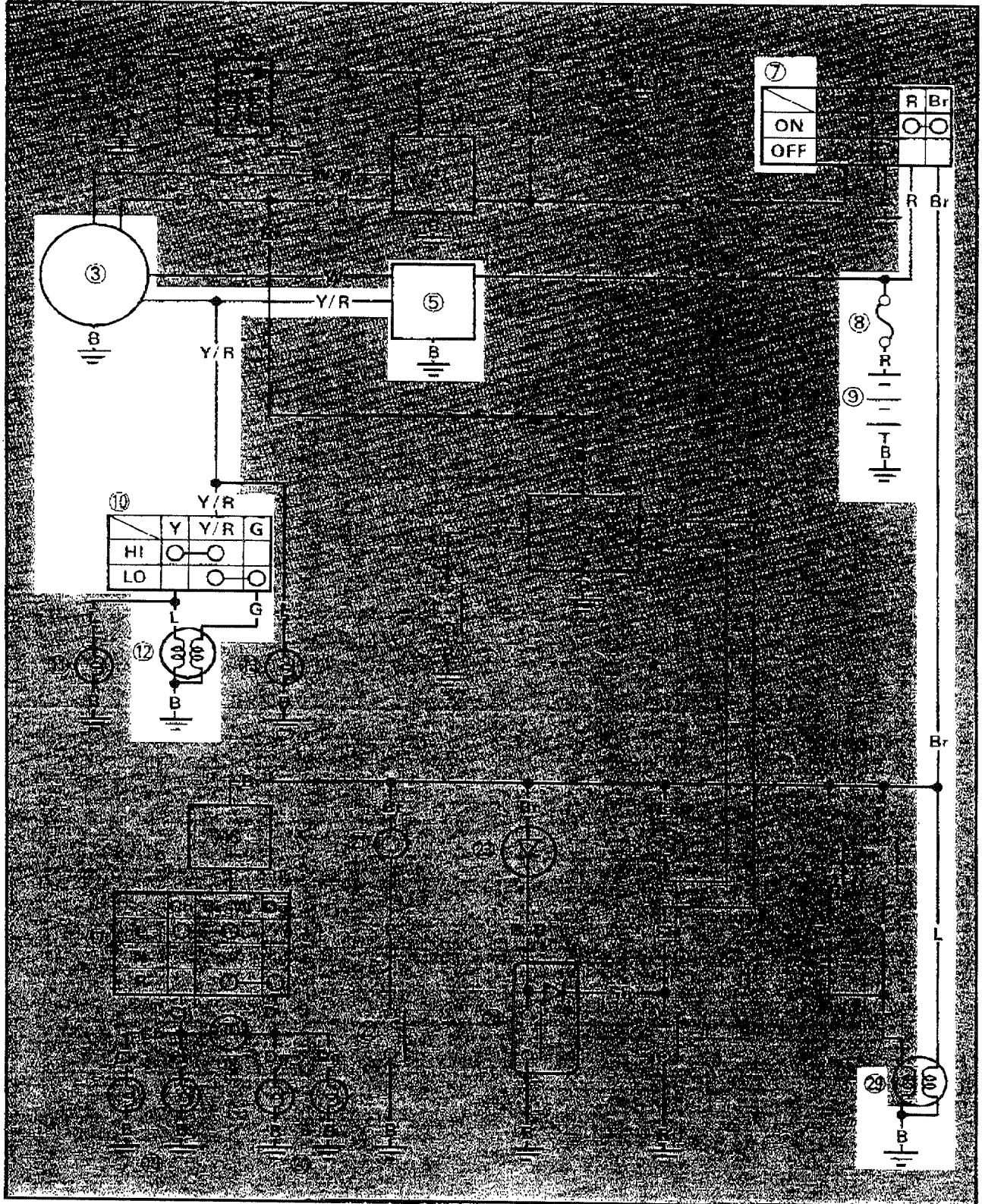
Below circuit diagram shows ignition and starting system.





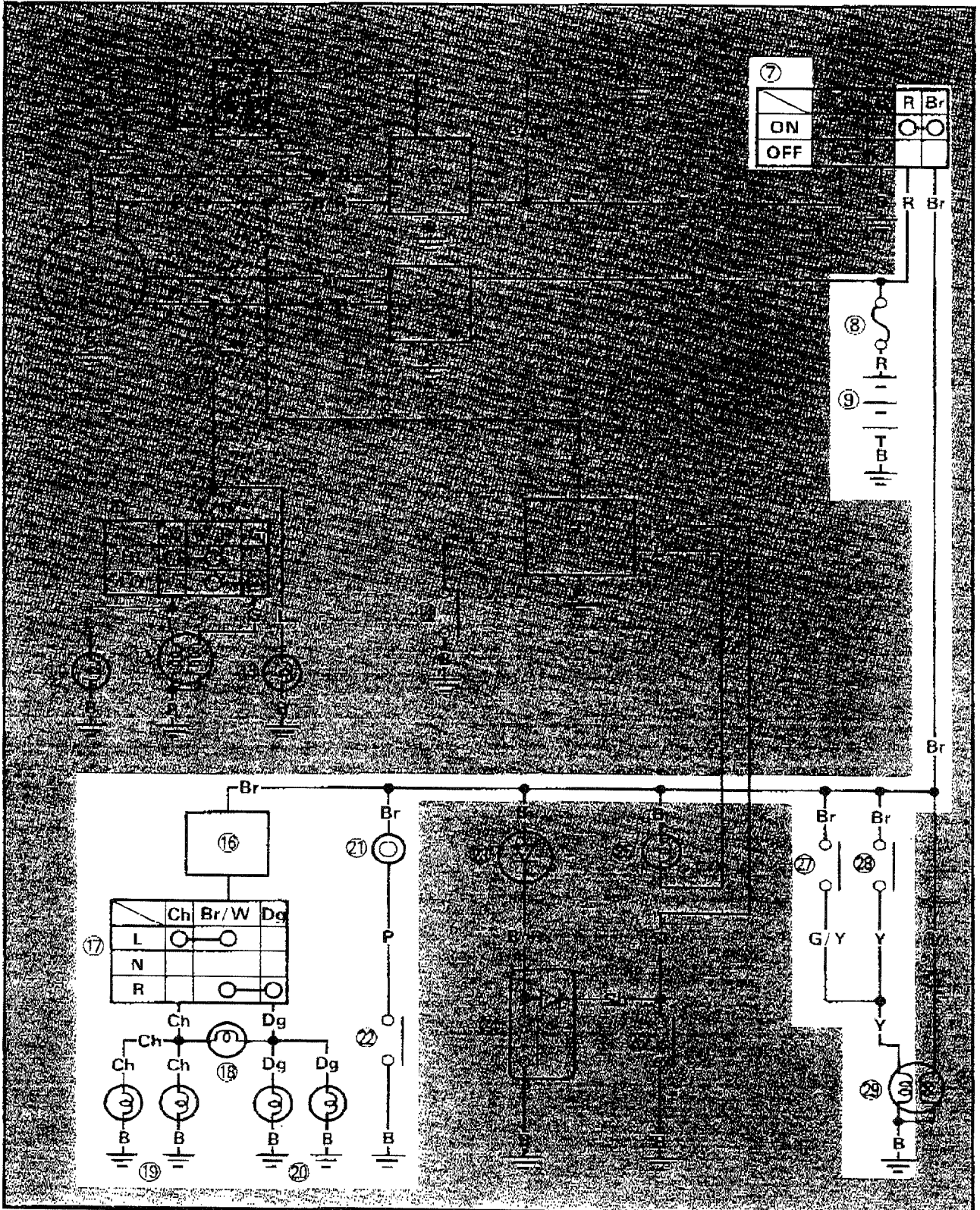
LIGHTING SYSTEM

Below circuit diagram shows lighting system.



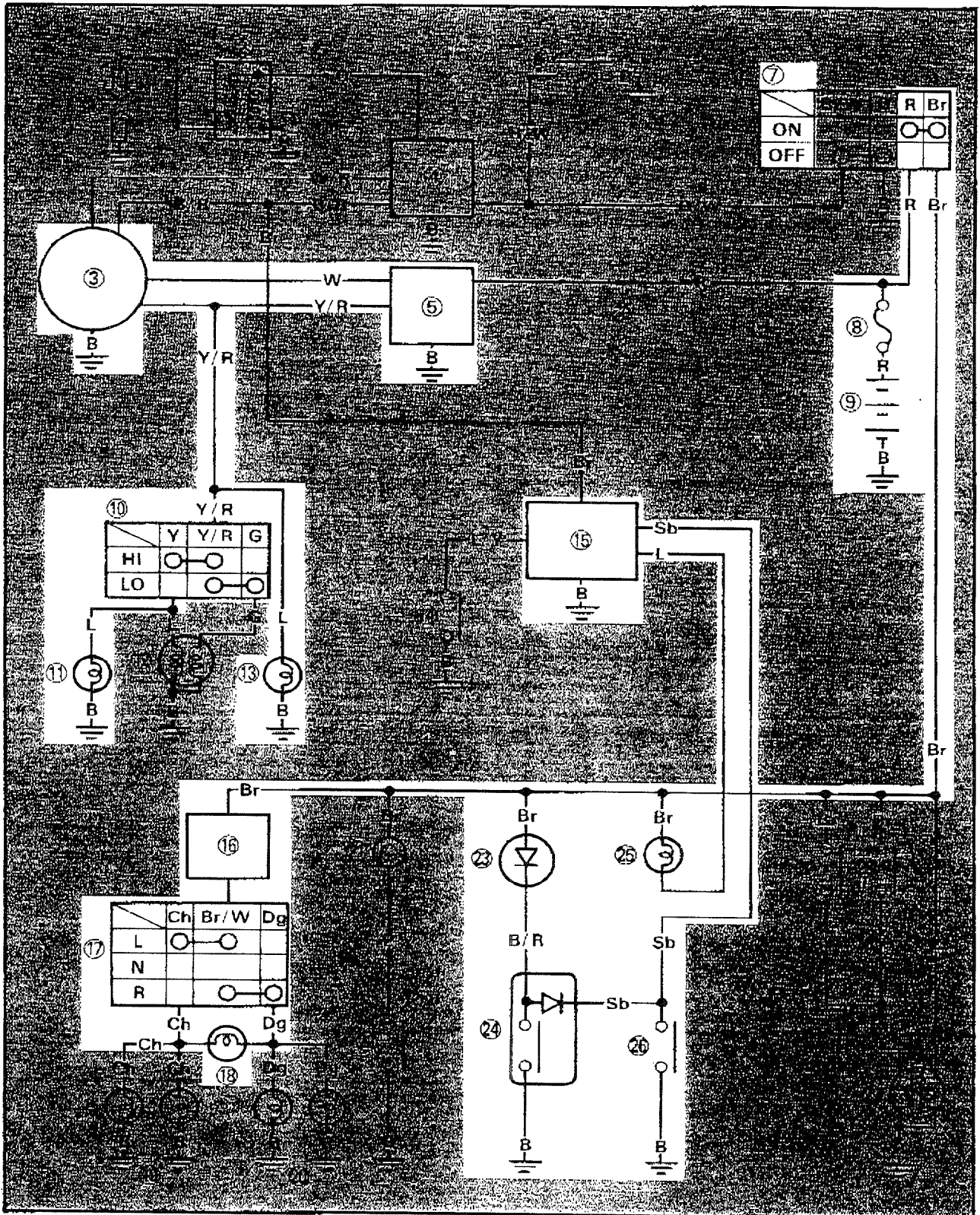
SIGNAL SYSTEM

Below circuit diagram shows signal system.

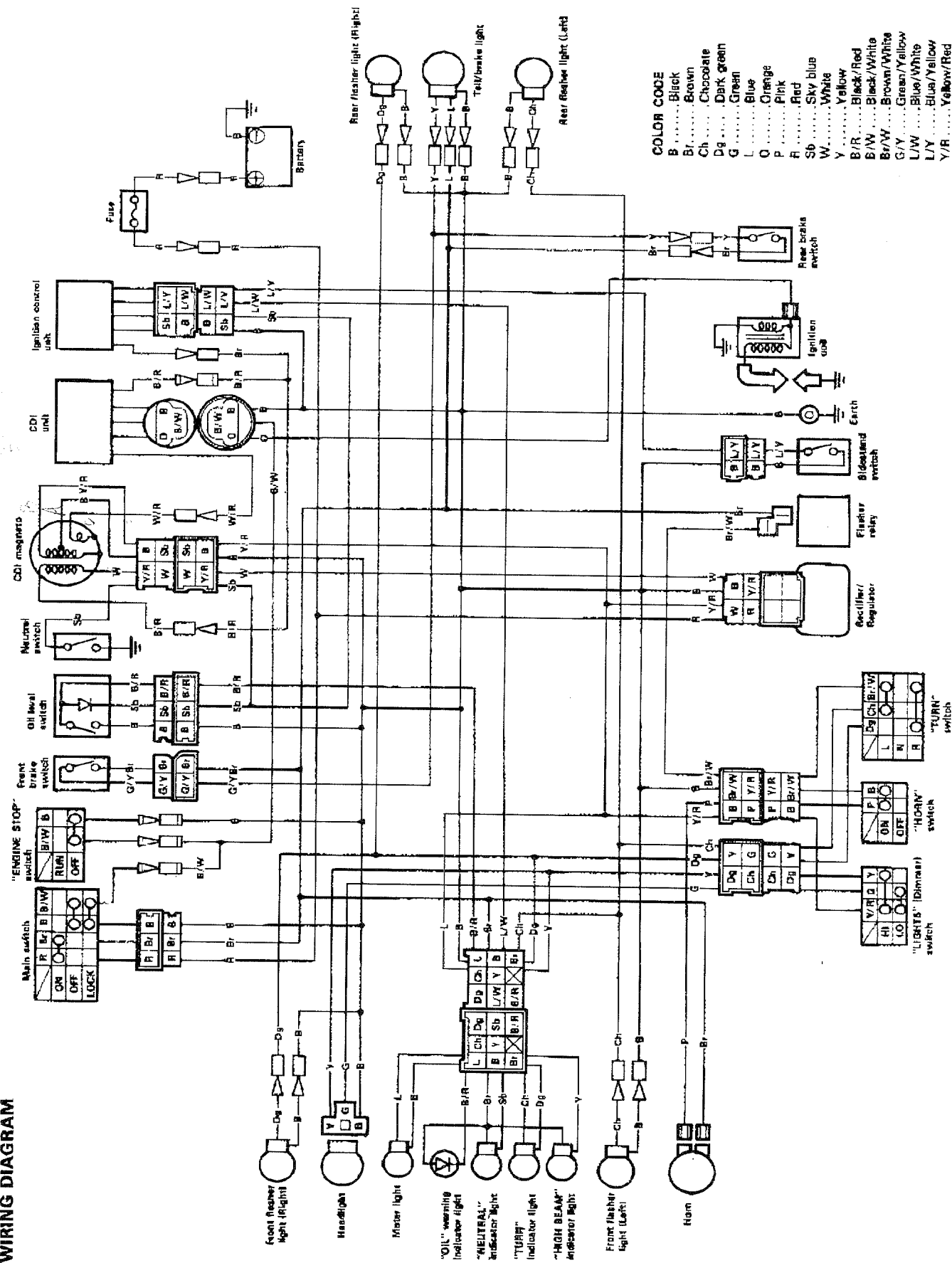


DISPLAY SYSTEM

Below circuit diagram shows display system.



YSR50T WIRING DIAGRAM



COLOR CODE

B	Black
Br	Brown
Ch	Chocolate
Dg	Dark green
G	Green
L	Blue
O	Orange
P	Pink
R	Red
Sb	Sky blue
W	White
Y	Yellow
B/R	Black/Red
B/W	Black/White
Br/W	Brown/White
G/Y	Green/Yellow
L/W	Blue/White
L/Y	Blue/Yellow
Y/R	Yellow/Red